

**KBT****617~960/1695~2700/3300-7200MHz 3/5/7dBi
Omnidirectional vehicle antenna****TQC-0672UB-B****Application**

Used in 2G/3G/4G/5G/WLAN system

Electrical specifications

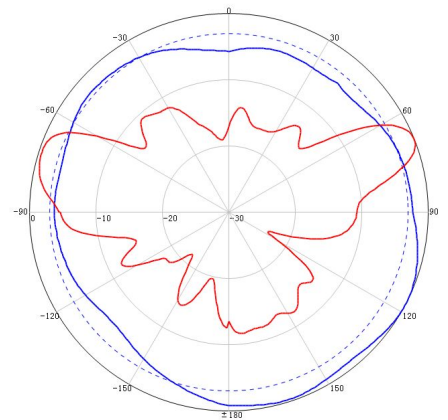
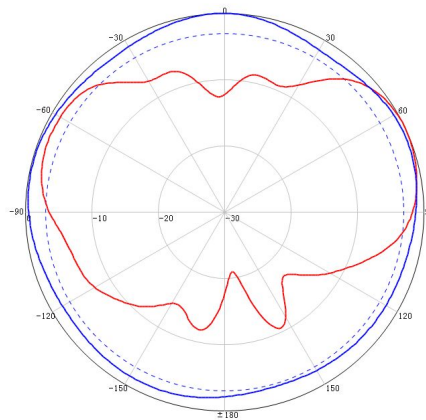
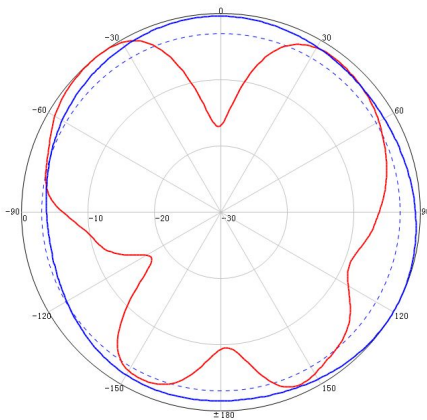
| | | | |
|---------------------------|----------|-----------|-----------|
| Frequency range (MHz) | 617~960 | 1695~2700 | 3300-7200 |
| Polarization | Vertical | | |
| Maximum Gain (dBi) | 3 | 5 | 7 |
| Horizontal beam width (°) | 360 | | |
| Vertical beam width (°) | 75 | 50 | 30 |
| Impedance (Ω) | 50 | | |
| VSWR | ≤3.0 | ≤2.5 | |
| Maximum power (W) | 50 | | |

Mechanical specifications

| | |
|-----------------------------|-----------------------------|
| Connector | SMA male |
| Exposed cable size (cm) | 50(RG58U) |
| Connector position | Bottom |
| Antenna size (mm) | Φ48.5*82 |
| Weight (kg) | ≤0.15(Bracket not include) |
| Radome material | ABS |
| Radome color | Black |
| Waterproof | IP65 |
| Operating temperature (°C) | -40~60 |
| Application | Outdoor |
| Suitable pole diameter (mm) | Φ25-Φ50 |
| Mounting kit | JM-M10B |

Attention!

Radiation parameters to use Φ50cm in diameter of metal base plate for testing.

617~960MHz Typical pattern:**1710~2700MHz Typical pattern:****3300~7200MHz Typical pattern:**



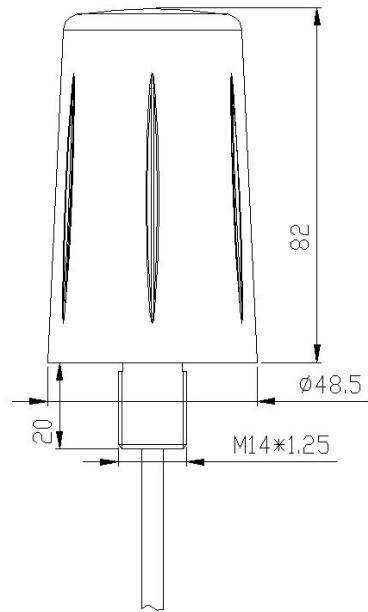
KBT

617~960/1695~2700/3300-7200MHz 3/5/7dBi
Omnidirectional vehicle antenna

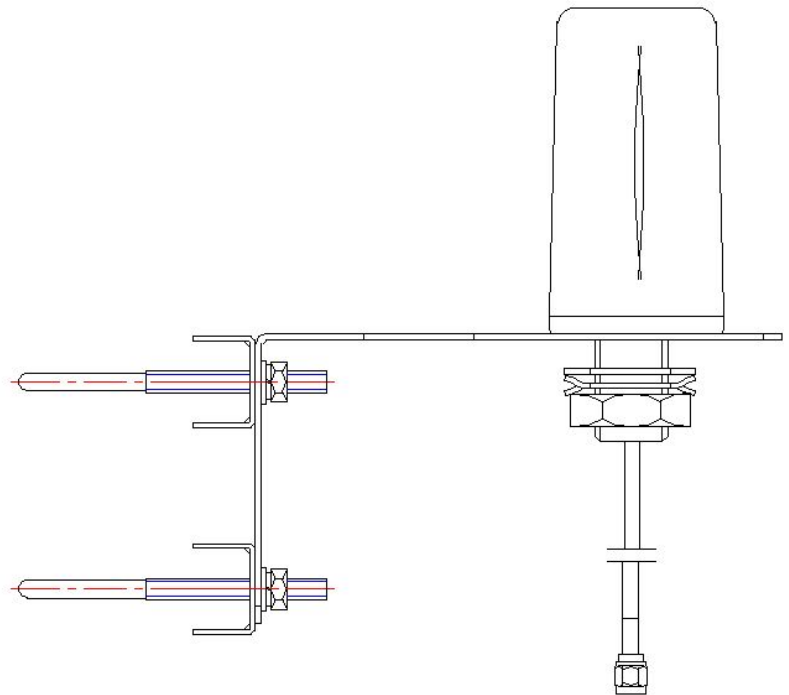
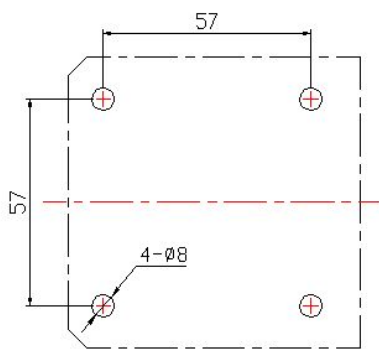
Product pictures



Product size



Installation Sketch



Mounting hole size

